

SNOWDRAGON INDUSTRIAL CO.,LTD

Customer Service :+86-755-83918797 +86-755-28269297

Websites: www.snowdragonledhk.com www.snowdragonledproduct.com

SPECIFICATION FOR APPROVAL

Customer:

Product Name: 3W UV LED – 3 Chips

Version number:

Deliver date: 2011-05-09

Product confirm and sign

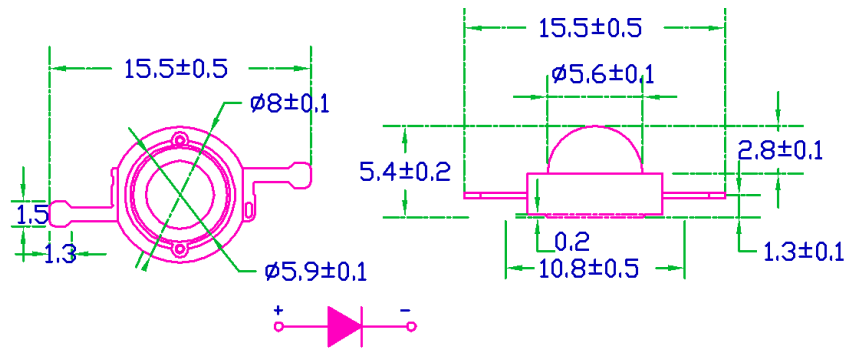
APPROVED BY	Manufacture	APPROVED BY
	VW	V

Customer confirm and sign

TESTED BY	CHECKED BY	APPROVED BY

Websites: www.snowdragonledhk.com www.snowdragonledproduct.com

● Package Dimensions

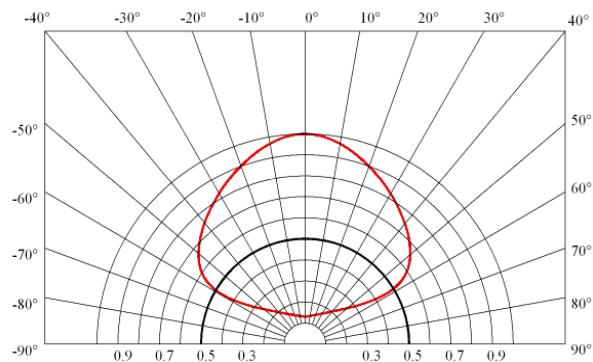


Dimension (mm)

Notes

1. All dimensions are in millimeters (inches).
2. Tolerance is ± 0.25 mm(0.010") unless otherwise noted.
3. Protruded resin under flange is 1.0mm(0.04") max.
4. Lead spacing is measured where the leads emerge from the package.
5. Specifications are subject to change without notice.

● Spatial Distribution



● **Electrical / Optical Characteristics at TA=25°C**

Parameter	Symbol	Min.	Typ.	Max.	Unit	Test Condition
Luminous Intensity	ϕ	2	4	5	Lm	IF =1050mA
Viewing Angle	2 θ 1/2	110	120	130	deg	IF =1050mA
Dominant Wavelength	wl	400	405	410	nm	IF =1050mA
Forward Voltage	vF	3.2	3.3	3.5	v	IF =1050mA
Reverse Current	IR	0		10	uA	IF =1050mA

● **Absolute Maximum Ratings at TA=25°C**

Parameter	Maximum Rating
Power Dissipation	3W
Peak Forward Current(1/10 Duty Cycle, 0.1ms Pulse Width)	2000mA
Continuous Forward Current	1050mA
Derating Linear From 30°C	0.07mA/°C
Reverse Voltage	5V
Operating Temperature Range	-20°C to + 80°C
Storage Temperature Range	-30°C to + 100°C
Lead Soldering Temperature [1.6mm(.063") From Body]	260°C for 5 Seconds