



www.snowdragonledhk.com

Good quality & Fast delivery

Snowdragon Industrial Co.,Ltd

DATA SHEET

MODEL N.O.: SDIR3WB85-RJ-A

ENG. N.O.: 12021604

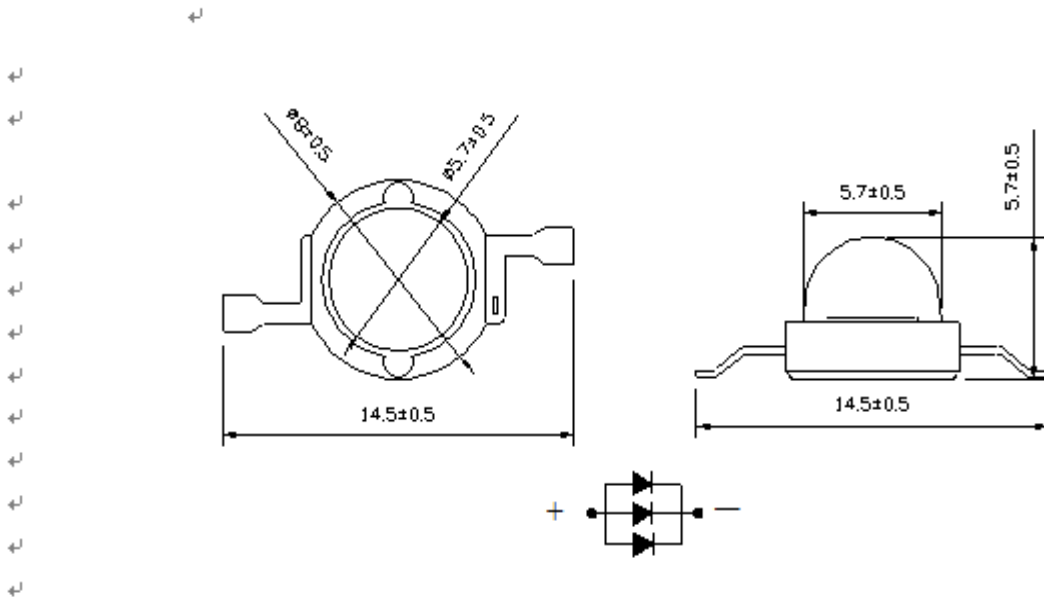
PREPARED BY	CHECKED BY	APPROVED BY
CUSTOMER APPROVED SIGNATURES		



Technology support or Order ,pls email us :powerledmanufacturer@gmail.com



● Package Dimensions

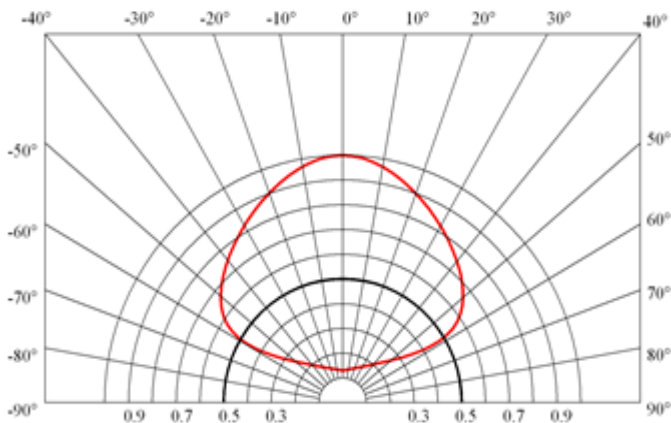


Dimension (mm)

Notes

1. All dimensions are in millimeters (inches).
2. Tolerance is ± 0.25 mm(0.010") unless otherwise noted.
3. Protruded resin under flange is 1.0 mm(0.04") max.
4. Lead spacing is measured where the leads emerge from the package.
5. Specifications are subject to change without notice.

● Spatial Distribution



Technology support or Order ,pls email us :powerledmanufacturer@gmail.com



●Electrical / Optical Characteristics at TA=25°C

Parameter	Symbol	Min.	Typ.	Max.	Unit	Test Condition
Radiation Power	P	100	130	150	mW	IF =1000mA
Viewing Angle	2θ1/2	110	120	130	deg	IF =1000mA
DominantWavelength	λl		850		nm	IF =1000mA
Forward Voltage	vF	1.4	1.6	2.0	V	IF =1000mA
Reverse Current	IR	0		10	uA	IF =1000mA

●Absolute Maximum Ratings at TA=25°C

Parameter	Maximum Rating
Power Dissipation	3W
Peak Forward Current(1/10 Duty Cycle, 0.1ms Pulse Width)	2000mA
Continuous Forward Current	1000mA
Derating Linear From 30°C	0.07mA/°C
Reverse Voltage	5V
Operating Temperature Range	-20°C to + 80°C
Storage Temperature Range	-30°C to + 100°C
Lead Soldering Temperature [1.6mm(.063") From Body]	260°C for 5 Seconds

Technology support or Order ,pls email us :powerledmanufacturer@gmail.com

