

5050 SMD Strip Light

Waterproof B-Series

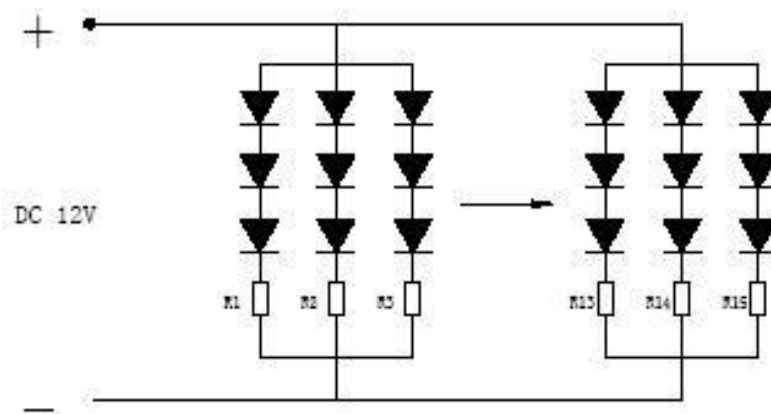
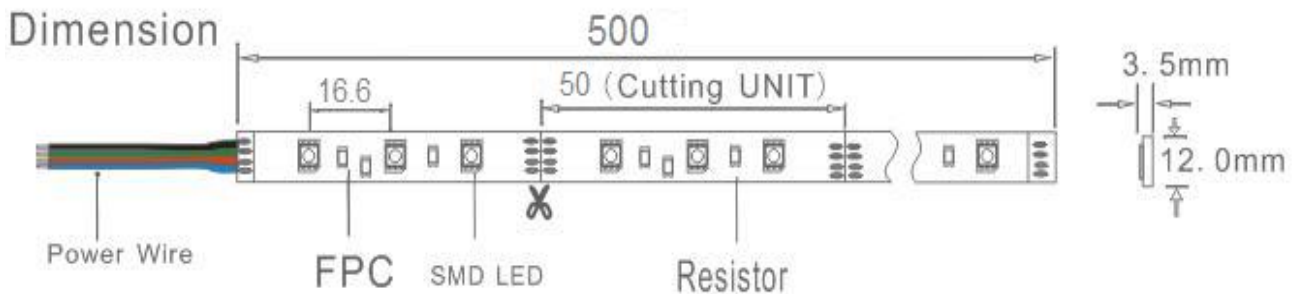
Applications

- ◆ Car decoration
- ◆ Architectural decorative lighting
- ◆ Archway, canopy and bridge edge lighting
- ◆ Auditorium walkway lighting
- ◆ Backligh for signage letters
- ◆ Channel letter lighting



Product features:

- ◆ Chractrestic:3in1 high intensite light strip
- ◆ Snowdragon LED strip on flexible PCB with self-adhesive back 3LEDs a group
- ◆ Various angle 120degrees
- ◆ Made of leaded LEDs with lighting enitting in the direction of PCB
- ◆ Avaiable colors:Red Green Bule Yellow White warmwhite
- ◆ Work voitage: DC12V & 24V
- ◆ Professionally encapsulated to be waterproof IP66
- ◆ Anti-uv design



Notes:

- ◆ All dimension units are millimeters
- ◆ All dimension tolerance is +1mm unless otherwise noted
- ◆ Electrical parameters as the standard 0.5M

Absolute Maximum Rating at TA=25°C

Parameter	Symbol	Absolute Maximum Rating	Unit
Forward Current	IF	600	mA
Power Dissipation	PD	7.2	W
Electrostatic discharge	ESD	2000	V
Operating Temperature	Topr	-25 – 60	°C
Storage Temperature	Tstg	-40 – 80	°C

Electrical / Optical Characteristics at TA=25°C

Parameter	Symbol	Condition	Typ	Unit
Forward Voltage DC	VF	IF=600mA	12	V
Dominant Wavelength	λ D	IF=600mA	~	nm
Luminous flux	ϕ V	IF=600mA	320	lm
Recommend Forward Current	IF(rec)	~	600	mA

Basic Technical Data (To 0.5M as the standard)

Part Number	Color	LED	Luminous (lm)	Viewing Angle	Wave Length(nm)	Current (mA)	Packing Means
		Quantity					
SD12FAWSMD5050W-60	White	30	310-330	120°	6000-7000k	560-600	5m/reel
SD12FAWSMD5050R-60	Red	30	190-210	120°	620-630	560-600	5m/reel
SD12FAWSMD5050G-60	Green	30	210-220	120°	510-525	560-600	5m/reel
SD12FAWSMD5050B-60	Bule	30	140-150	120°	455-470	560-600	5m/reel
SD12FAWSMD5050Y-60	Yellow	30	190-210	120°	585-595	560-600	5m/reel
