

335 SMD Strip Light Non-Waterproof Series

Applications:

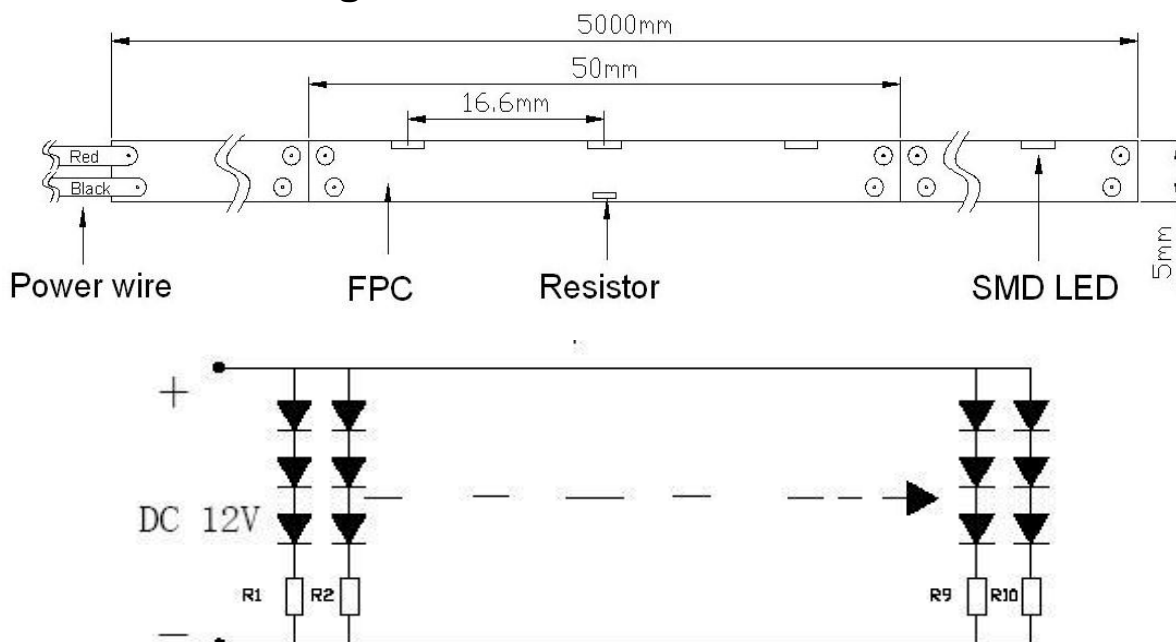
- ◆ Car decoration
- ◆ Architectural decorative lighting
- ◆ Archway, canopy and bridge edge lighting
- ◆ Auditorium walkway lighting
- ◆ Backlighting for signage letters
- ◆ Channel letter lighting



Product features:

- ◆ Snowdragon LED strip on flexible PCB with self-adhesive back 3LEDs a group
- ◆ Various angle 120 degrees
- ◆ Made of leaded LEDs with light emitting in the direction of PCB
- ◆ Available colors:red/ green /bule /yellow/ white/ warmwhite
- ◆ Work Voitage:DC12&24V
- ◆ Anti-Uv Design

Dimension drawing:



Notes:

- ◆ All dimension units are millimeters
- ◆ All dimension tolerance is ± 1 mm unless otherwise noted
- ◆ Electrical parameters as the standard 1M

Absolute Maximum Rating at TA=25°C

Parameter	Symbol	Absolute Maximum Rating	Unit
Forward Current	IF	200	mA
Power Dissipation	PD	4.8	W
Electrostatic discharge	ESD	2000	V
Operating Temperature	Topr	-25 – 60	°C
Storage Temperature	Tstg	-40 – 80	°C

Electrical / Optical Characteristics at TA=25°C

Parameter	Symbol	Condition	Typ	Unit
Forward Voltage DC	VF	IF=200mA	12	V
Dominant Wavelength	λ_D	IF=200mA	~	nm
Luminous flux	ϕ_V	IF=200mA	190	lm
Recommend Forward Current	IF(rec)	~	200	mA

Basic Technical Data

Part Number	LED	Luminous(lm)	Wavelength	Viewing Angle	Current (mA)	Packing Means
	Qty					
SD12FNWSMD335W-60	60	180-200	6000-7000k	90°	195-200	5m/reel
SD12FNWSMD335R-60	60	44-54	620-630nm	90°	195-200	5m/reel
SD12FNWSMD335G-60	60	76-96	510-525nm	90°	195-200	5m/reel
SD12FNWSMD335B-60	60	30-36	455-470nm	90°	195-200	5m/reel
SD1F2NWSMD335Y-60	60	44-54	585-595nm	90°	195-200	5m/reel